

# GRUNDFOS SYSTEM MANAGER & OPTIMIZER

LET US LOOK AT PLANT  
EFFICIENCY MORE HOLISTICALLY

be  
think  
innovate

**GRUNDFOS** 



### GRUNDFOS SYSTEM APPROACH

Optimize plant efficiency by looking at each sub system within the HVAC plant room

### OPTIMIZED ALGORITHM

Grundfos SMO takes control of entire HVAC plant with its inbuilt features

### ADAPTIVE CONTROLS

Cooling tower performance optimization in relation with plant load

### VARIABLE CONDENSER WATER FLOW

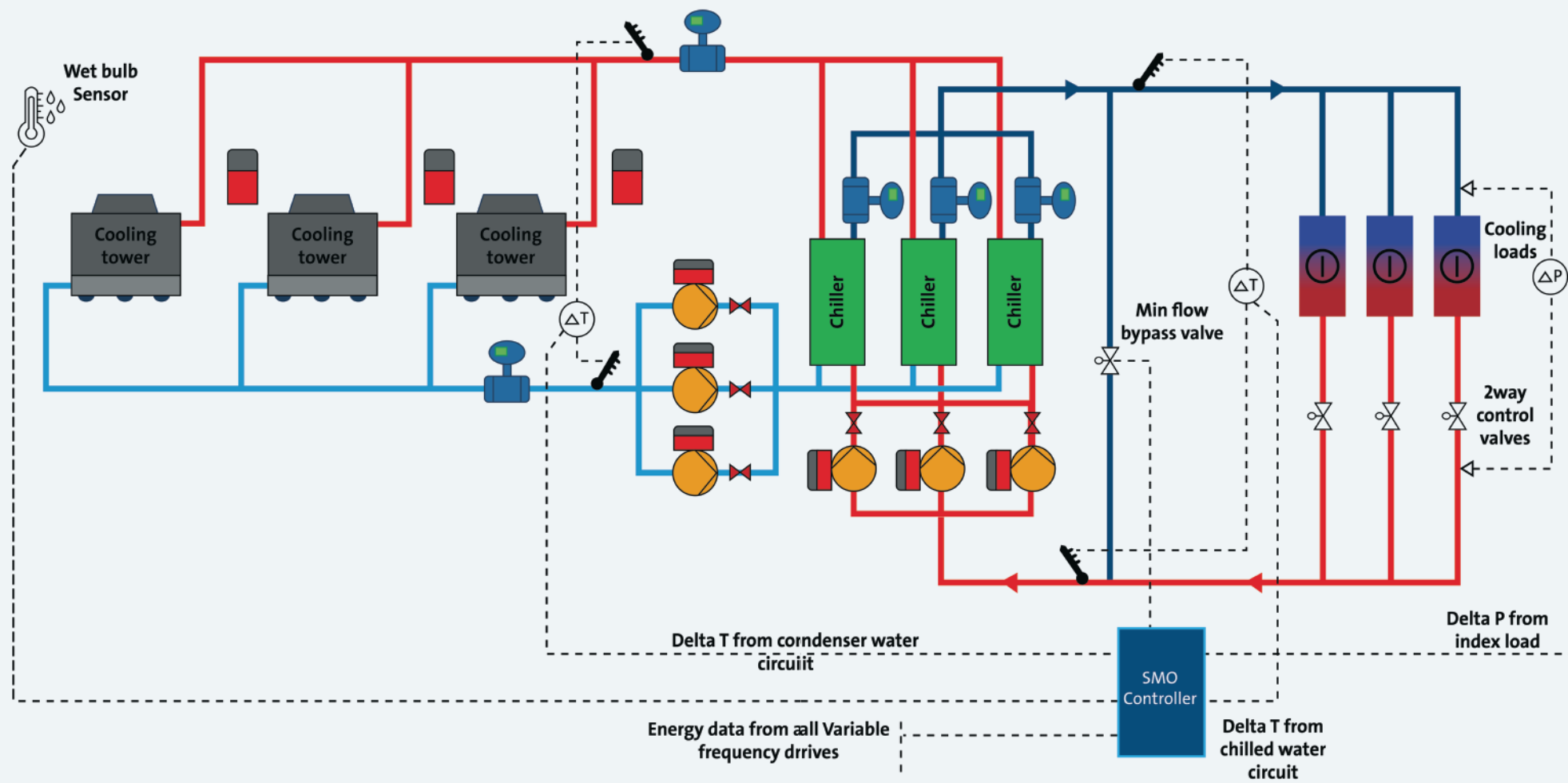
Grundfos SMO optimizes plant performance with chiller lift vs condenser flow control

### SINGLE POINT RESPONSIBILITY

Grundfos integrated design approach guarantee

### PEACE OF MIND ON SERVICE

Grundfos Service & Solutions ensures seamless plant operation & maintenance



For more information contact us:

 [grundfos.com/.in](https://www.grundfos.com/.in)

 1800-102-2535

 [oneoffice.india@sales.grundfos.com](mailto:oneoffice.india@sales.grundfos.com)

**GRUNDFOS** 